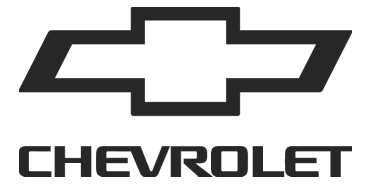


# Chevrolet Logo Screen

## Assembly Instructions



### Tools Required:

Drill and 1/2" Bit  
Socket Wrench Set  
Level

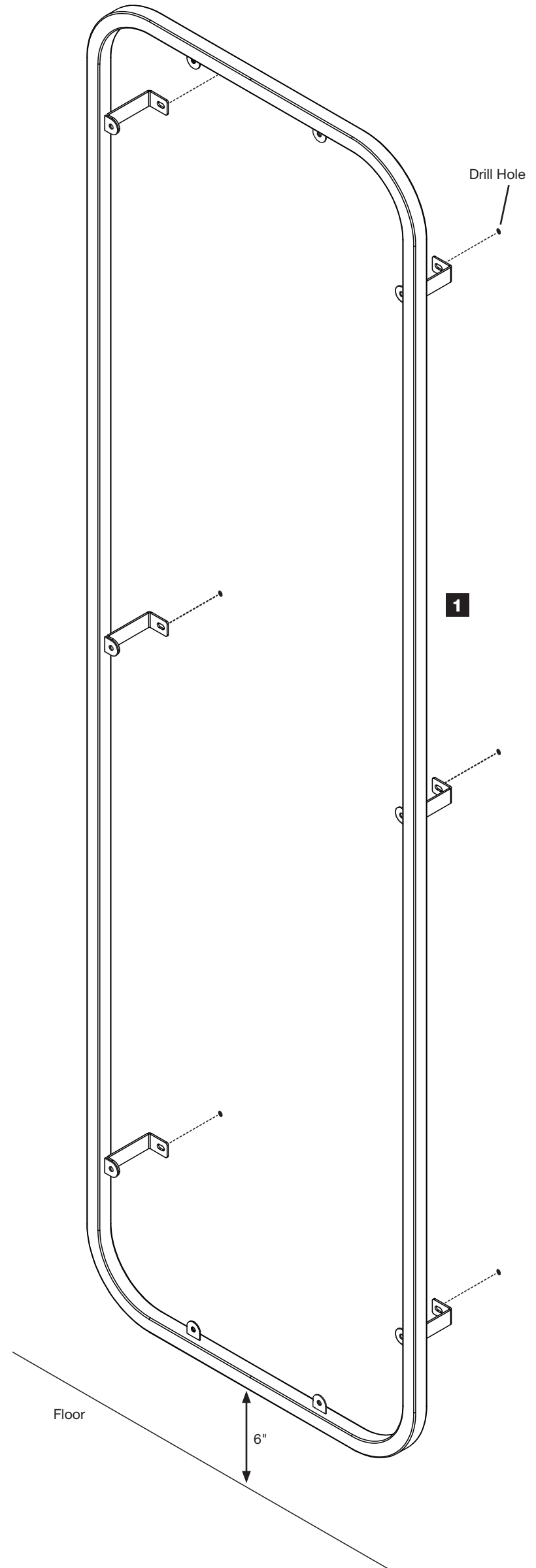
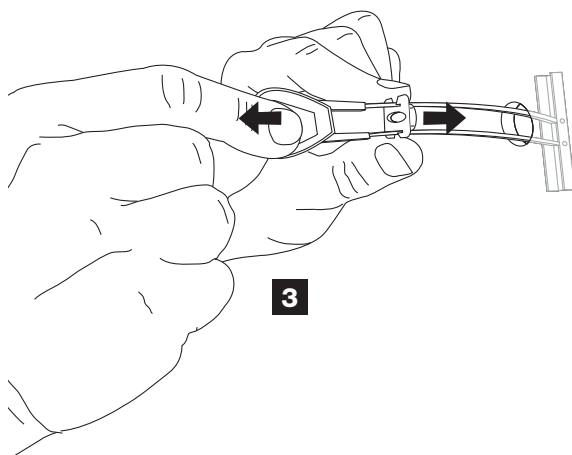
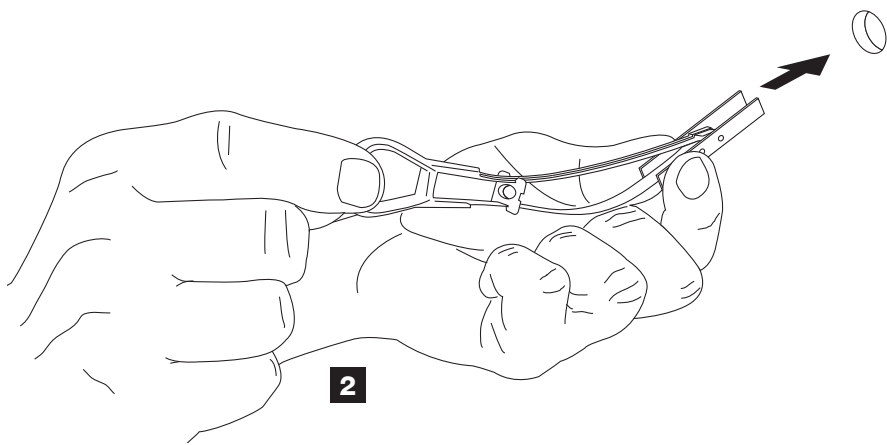
### Hardware List:

(6) 1/4-20 Wall Anchor Strap Toggles  
(6) 1/4-20 x 1-1/4 Hex Bolts  
(6) 1/4 Flat Washers  
(3) 1/4 x 1/2 x 5/16 Thick Plastic Spacer  
(3) 1/4-20 x 1 Flat Head Machine Screw  
(2) 1/4-20 Keps Nut

**Caution:** Display must be safely secured to a wall. Installation by a qualified contractor is required.

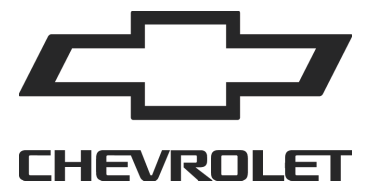
### Instructions:

1. Wall anchors provided are for use on a hollow wall. If mounting surface differs from this, installer must obtain appropriate fasteners for the specific application.
2. Place display against the wall and locate 6" from above the floor (Figure 1).
3. With display level, mark six mounting hole locations on the wall (Figure 1).
4. Move the display aside to reveal marked holes.
5. Drill six 1/2" diameter holes at marked locations in the drywall.
6. Insert six strap toggle assemblies into holes (Figure 2).
7. Push retaining ring while pulling on the straps to secure toggle assembly. Brake off straps after anchor is seated (Figure 3).



# Chevrolet Logo Screen

## Assembly Instructions



- Place display over wall anchors and secure to wall with six 1/4-20 hex bolts and washers (Figure 4).
- Attach poster frame to front of display with flat head screws, spacers and keps nuts. (Figure 5).
- Poster graphic (purchased separately) should be inserted into the snap frame.

